



Smart Design & Compact

## The ideal system for small room comfort

Modern ergonomic design adopted for the indoor unit. Wide selection of outdoor units with multiple indoor unit connectivity. Combined they offer Mitsubishi Electric's renowned reliability, amazingly quiet operation and energy-saving performance.



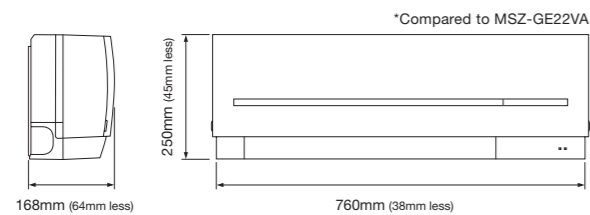
MITSUBISHI ELECTRIC



## Attractive in any room

The simple, novel design of the indoor unit adds a touch of class to any room.

At 64mm thinner than our previous indoor inverter unit with the lowest output capacity (MSZ-GE22VA), it's incredibly compact.



## Simultaneously enhance room comfort and save energy

### Amazingly easy weekly timer set-up

All MSZ-S Series air conditioners are equipped with the Weekly Timer function as a standard feature. Easily set operating times and temperatures to match your lifestyle. By setting the optimum operation pattern to turn the unit on/off and raise/lower temperatures automatically at different times of the day/week, you can enhance room comfort and reduce wasted power consumption.

Example Operation Pattern (Winter/Heating mode)

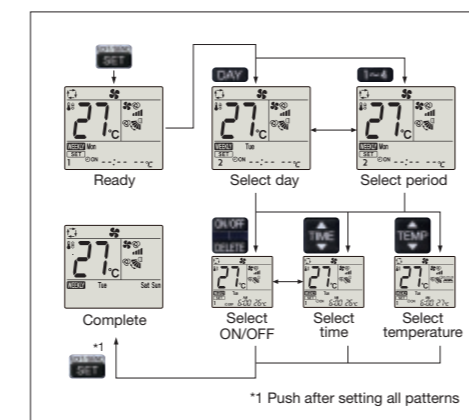
	Mon.	Tues.	Wed.	Thurs.	Fri.	Sat.	Sun.
6:00	ON 20°C	ON 20°C	ON 20°C	ON 20°C	ON 20°C	ON 20°C	ON 20°C
8:00	OFF	OFF	OFF	OFF	OFF	ON 18°C	ON 18°C
10:00							
12:00							
14:00							
16:00	Automatically turned off during work hours					Midday is warmer, so the temperature is set lower	
18:00	ON 20°C	ON 20°C	ON 20°C	ON 20°C	ON 20°C	ON 20°C	ON 20°C
20:00	Automatically turns on, synchronized with arrival at home					Automatically raises temperature setting to match time when outside-air temperature is low	
22:00~ (during sleeping hours)	ON 18°C	ON 18°C	ON 18°C	ON 18°C	ON 18°C	ON 18°C	ON 18°C
	Automatically lowers temperature at bedtime for energy-saving operation at night						

### ● Remote Controller Keypad

The remote controller has a 12-button keypad layout, including the "i-save" function button, Timer ON/OFF and setting buttons, and weekly timer ON/OFF, setting and delete buttons.



### ● Setting the Weekly Timer



Push the "SET" button and then follow the instructions to set the desired temperatures and time periods. After inputting all of the desired patterns, point the top end of the remote controller towards the indoor unit and push the "SET" button again. Data entered will be transmitted to the air conditioner and stored in memory. If the "CANCEL" button is pushed before the "SET" button is pressed a second time, the set-up process will end and no settings will be transmitted to the indoor unit. The operating times and temperatures for an entire week can be saved to memory in the indoor unit.

\*Sending the weekly timer program takes a few seconds. Continue to point the remote control at the indoor unit during this time.



## Energy-efficient, quiet operation for the enjoyment of all

### Highly Efficient Operation

All models have achieved the "Rank A" energy-savings rating for both heating and cooling operation. Regardless of your air conditioning needs, you'll be saving power with a MSZ Series system.



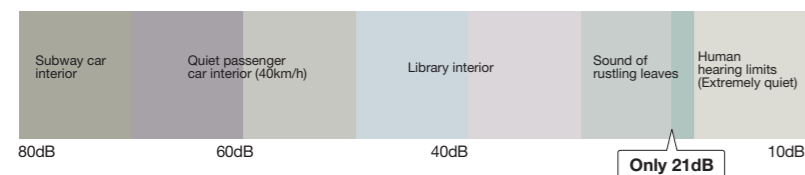
Energy Ranking (Cooling/Heating)

Indoor \ Outdoor	MXZ-2B30VA	MXZ-2B40VA	MXZ-2B52VA	MXZ-3B54VA	MXZ-3B68VA	MXZ-4B71VA	MXZ-4B80VA	MXZ-5B100VA
	MSZ-SF15VA×2	A/A	A/A	A/A	A/A	A/A	A/A	A/A
MSZ-SF20VA×2	A/A	A/A	A/A	A/A	A/A	A/A	A/A	A/A

### Overwhelmingly Quiet Operation

Mitsubishi Electric air conditioners have earned an excellent reputation for their silent performance. The MSZ Series is no exception. Operating at a quiet 21dB, the room environment is so peaceful people won't even notice that the air conditioner is running.

#### Noise Level (SPL)



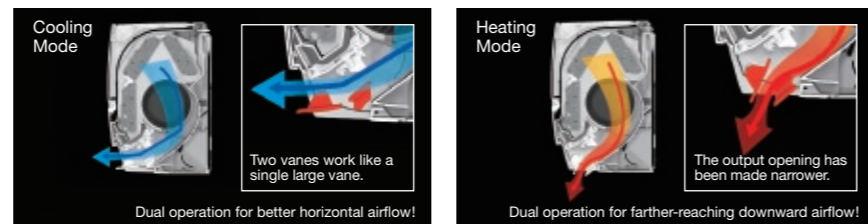
### Low-capacity Models Added to Line-up

The low-capacity end of has been extended with the addition of the MSZ Series line-up. It is now possible to choose the optimal capacity for smaller rooms like studies and bedrooms, where the capacity of the GE22 may seem excessive.

Wall-mounted models		15	20	22	25	35	42	50	60	71
DX	MSZ-F				✓	✓		✓		
Std.	MSZ-G			✓	✓	✓	✓	✓	✓	✓
Compact	MSZ-S	New	New							

### Dual Air Guide Patent pending

Both the upper and lower vanes are equipped with a vane motor. According to operation, the angle of each vane can be adjusted individually for increased room comfort. At the time of cooling, it works like a single large vane and outputs a horizontal airflow so that air is not blown at people directly. At the time of heating, the output opening is made narrower to increase the airflow speed, and the warm airflow is directed downward towards the feet.

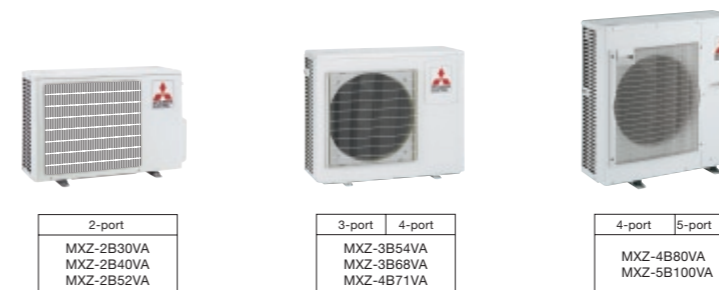


\*Please check to ensure that the upper vane is closed when starting operation.



### Compatibility

Connectivity for 2-8 rooms is possible. A single outdoor unit can provide air conditioning to multiple rooms.



Indoor \ Outdoor	MXZ-2B30VA	MXZ-2B40VA	MXZ-2B52VA	MXZ-3B54VA	MXZ-3B68VA	MXZ-4B71VA	MXZ-4B80VA	MXZ-5B100VA
	MSZ-SF15VA	✓	✓	✓	✓	✓	✓	✓
MSZ-SF20VA	✓	✓	✓	✓	✓	✓	✓	✓

1) Cannot be connected with MXZ-2A30VA/2A40VA/2A52VA/3A54VA/4A71VA/4A80VA/5A100VA 2) Use for a 1:1 single connection is not possible.

Type		Inverter Heat Pump			
Model Name		MSZ-SF15VA	MSZ-SF20VA		
Power Supply		Source	Outdoor power supply		
		V	230		
		Phase	Single		
		Hz	50		
SPL	Cooling	Silent	dB(A)	21	21
		Low	dB(A)	26	26
		Mid	dB(A)	30	30
		Hi	dB(A)	35	35
		Super Hi	dB(A)	40	42
	Heating	Silent	dB(A)	21	21
		Low	dB(A)	26	26
		Mid	dB(A)	30	30
		Hi	dB(A)	35	35
		Super Hi	dB(A)	40	42
Input		Rated	kW	0.017	0.019
Running Current(Max)			A	0.17	0.19
Dimensions		Height	mm	250	250
		Width	mm	760	760
		Depth	mm	168	168
Weight			kg	7.7	7.7
Ext. Piping	Diameter	Liquid	mm	6.35	6.35
		Gas	mm	9.52	9.52

\*Specifications are figures for a single indoor unit.

